

Welcome to the 2023 Apprenticeship Recruiting



Apprenticeship Teacher Luncheon

Jennifer Herndon

Ed Injaychock

Ashley Dyson

Employer Partners



CENTRAL PIEDMONT

COMMUNITY COLLEGE



What is Apprenticeship?





Benefits



Graduate from
Central
Piedmont

DEBT FREE

Associate of
Applied Science
Degree
&

Journeyman
Card

(*issued by US
Department of Labor)

Wraparound
Services

(Dedicated student
success coach)



Apprenticeship Student Success – Preparation in High School

Eligibility

- Juniors
- Seniors

Un-weighted High School GPA

- 2.6 (some companies require 2.8)
- Some 2.5 exceptions

Critical Courses

- Algebra/Trigonometry
- Geometry

Recommended Courses

- Robotics
- Coding
- Physics
- CAD
- Pre-Calculus

Central Piedmont offers support for **selected** Apprentices.



How do Students Apply for Apprenticeship?

January 2023

- Register for the 2023 Open House via provided link.

February 11, 2023

- Attend the 2023 Open House at companies.
- Apply through **Submittable Portal**.

March 2023

- Orientations at companies.

By May 1, 2023

- Selections for 6-week Summer Pre-Apprenticeship.

1st Week of August 2023

- Final selection for **registered** Apprentices.



Contact us

Workplace Learning

Jennifer Herndon

Senior Coordinator Apprenticeship Charlotte

Jennifer.Herndon@cpcc.edu

Ashley Dyson

Senior Coordinator Apprenticeship Charlotte

Ashley.Dyson@cpcc.edu

How do I sign up for the Open House?

Students can register for the Virtual Open House using one of the recruiting flyers. The site or QR code can be used for this sign up.

Applications must be filled out after open house for the program itself; those will be accepted after the Open House starting in Mid-January.

Charlotte Apprenticeship Opportunity

To sign up for more information about the January 16, 2021 Virtual Open House:

Scan the code below:



OR go to: <https://tinyurl.com/y4n9zzze>

Benefits of an Apprenticeship



- Paid career opportunity with excellent benefits package.
- Graduate from school debt-free.
- Four years of advanced technical training at our facility.
- Graduate from CPCC with Associate's of Applied Science (Mechatronics Engineering Technology).
- Receive Journeyman Certificate from NC Department of Labor (NCDOL).
- *Guaranteed employment after graduation.

**Excellent grades and performance must be maintained throughout program.*

PFaff
Molds - USA

SIEMENS
energy

CHIRON Group

groninger

Apprenticeship 2000

CENTRAL PIEDMONT

Current Apprenticable Trades

- CNC Machinist
- Tool & Die Maker
- Mechatronics Electrician
- Mechatronics Technician
- Welding Fabricator



What is Apprenticeship ?

- 6400 hours of learning “hands on” manufacturing skills
- 1600 hours of college education

What do I get for completing the apprenticeship?

- Journeyman Certificate by the Department of Commerce
- Associates degree in Mechatronics from CCCC
- Dual Training - Academics in College / hands on at company
- Additional college for advanced degrees (company dependent)
- **Guaranteed employment after graduation**



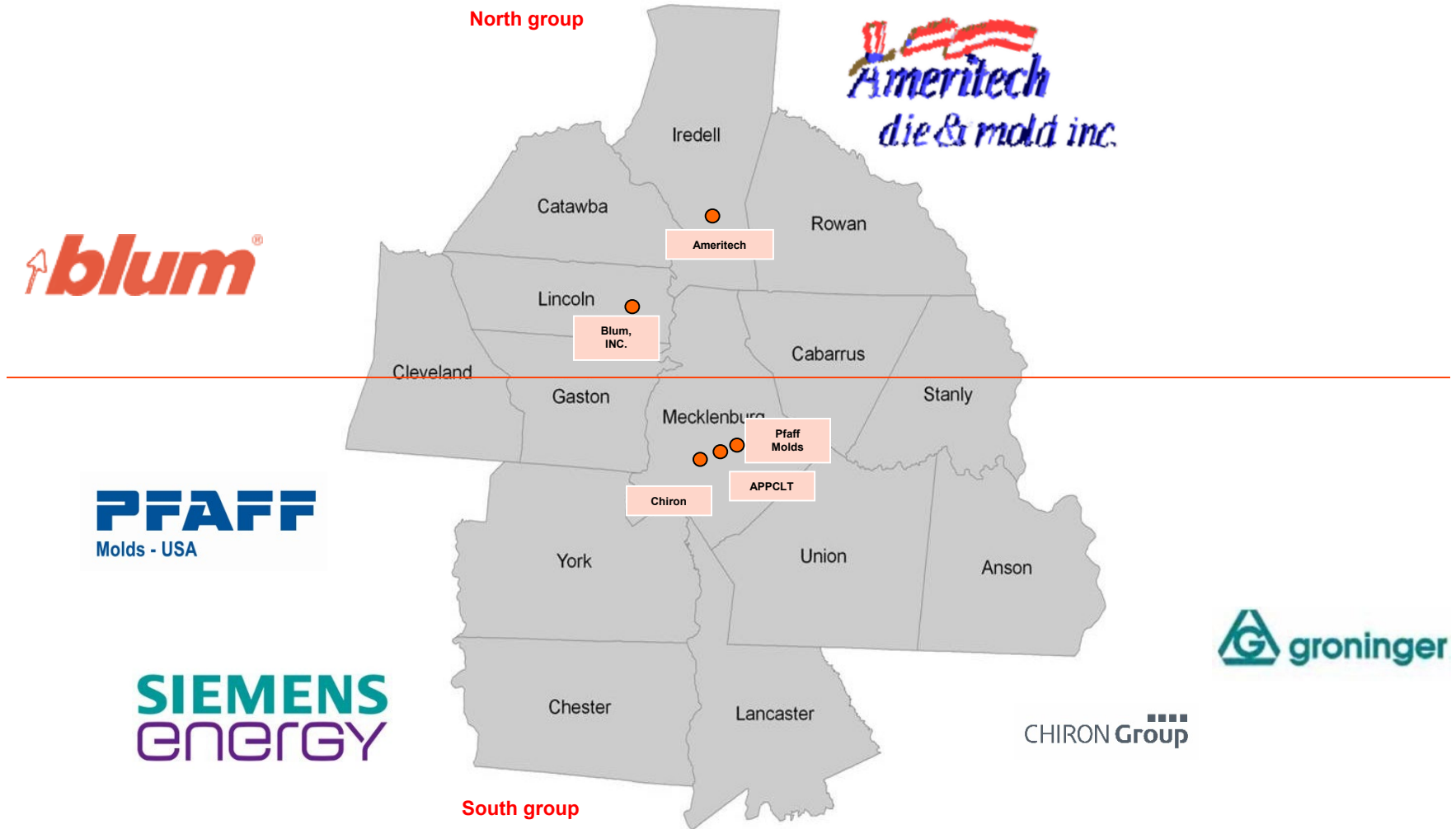
Why An Apprenticeship?

- Acquire academic **Knowledge and Experience**
- Get prepared for todays job market
- Align your abilities with your career choice
- Guaranteed employment after graduation
- Free College and getting a paycheck
- No Contracts *

In the new economy **both** Technical Skills and Education will be the new currency.



Partners of Apprenticeship





We fill **Visions** with life.

14045 South Lakes Drive
Charlotte, NC 28273

groninger
PHARMA

groninger
COSMETICS

groninger
CONSUMER
HEALTHCARE

Our Expertise

We manufacture quality customized machine lines for the processing of pharmaceutical, cosmetics, and consumer healthcare products. With more than 40 years of experience, we have become technology leaders in the industry.



Apprenticeship Track: Mechatronics Technician



Mechatronics	Hours
Mechanical and Electrical Hands-on Training	2722
Machining (Machining, Welding, Drilling, Turning)	1842
Math, Industrial Safety, Mechanical/Engineering tasks	775
Electrical Engineering/Department Rotation	1061

+1600 contact hours of corresponding classes at CPCC

Apprenticeship Track: Machinist



Machinist	Hours
Bench Work, Drilling, Turning, Milling, Safety	3508
Grinding, Layout, Safety	978
Basic Engineering, Electronics, Safety	852
Weld & Fabricate, Plastic Tech & Assembly	1062

+1600 contact hours of corresponding classes at CPCC

Apprenticeship Track: Mechanical Engineering

Mechanical Engineer	Hours
Mechanical Engineering, Planning, Drawing, Safety	3748
Benchwork, Metals, Drill, Mill, Turning	806
CNC, Grinding, Honing	658
Welding, Engraving, Finishing, Pneumatics, Mechanical Assembly	1188

+2200 contact hours of corresponding classes at CPCC

+1300 contact hours of corresponding classes at UNCC

Apprenticeship Track: Automation Engineering

<i>Automation Engineer</i>	<i>Hours</i>
Orientation, Safety, Math and Measurement	362
Electrical Engineering Schematics and Job Planning	4128
Benchwork	380
Metallurgy and Machining	468
Welding, Soldering, Engraving, Etching and Surface Finishing	140
Department Rotation	96
Pneumatics, Mechanical Assembly, Machine Testing and Groninger Specific Training	826
Total	6400

+2200 contact hours of corresponding classes at CPCC

+1300 contact hours of corresponding classes at UNCC

Why groninger?



We fill **Visions** with life.



PFAFF
Molds - USA

Welcome to
PFAFF
Molds USA

*Pfaff is a family
owned and
operated business*

PFAFF
Molds - USA

Customers

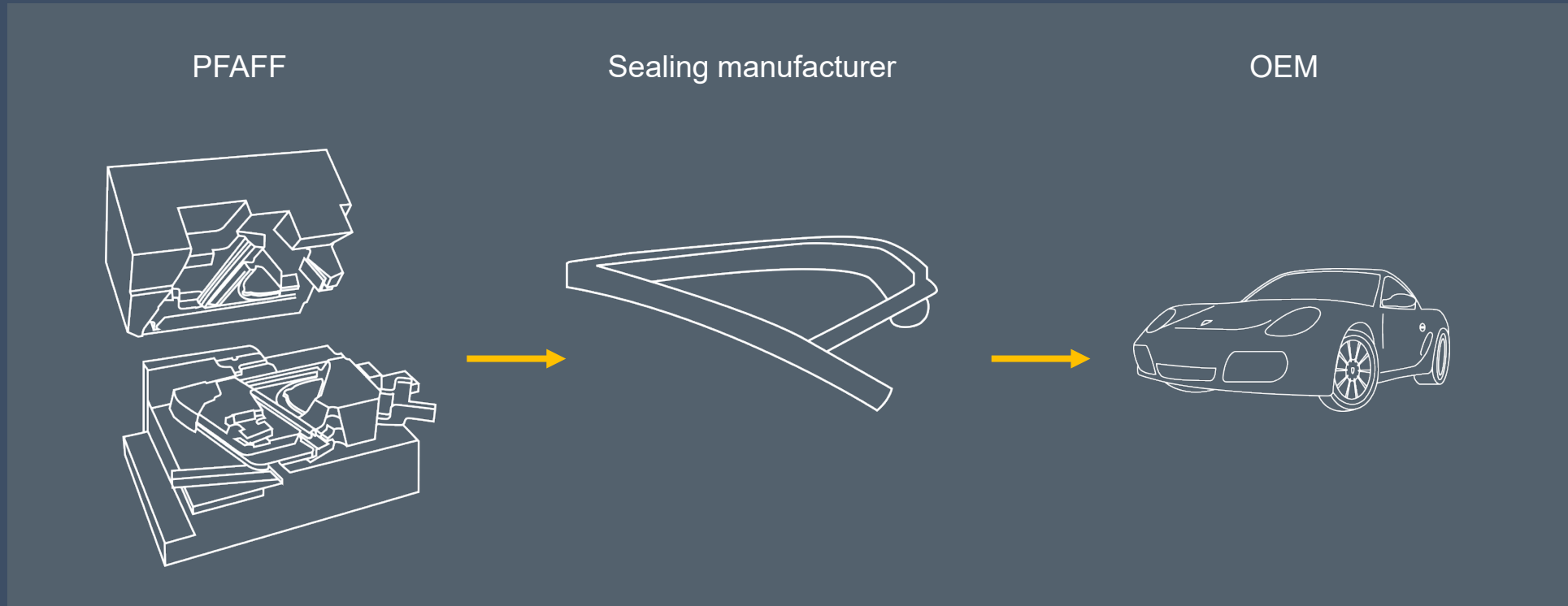


PFAFF Molds works with tier one suppliers of automotive sealing systems for major OEM car companies.

Our products:

- Glass Run Channels
- Convertible Seals
- Door Seals
- Muckets
- Glass encapsulations

What we do



We manufacture injection molds for window systems. From simple prototypes to complex fully automated systems. Each one is unique.

Our tier one customer uses our molds to produce window systems for OEM car manufactures.

Notching



References

25



Porsche Panamera

PFAFF Apprenticeships

26



Apprenticeships:

- Mold Maker (including Mechatronics training)
- CNC Machinist (including Mechatronics training)

At PFAFF, practical „hands on“ experience through our detailed apprenticeship program is key to applying the theoretical schooling knowledge.

Life at PFAFF after your apprenticeship

Journeyman:

- Mold Maker
- CNC Machinist

After graduating the Apprenticeship 2000 program including on the job training at PFAFF, your career as a Mold Maker or CNC Machinist could lead to future careers such as, but not limited to:

- CAM-Programmer
- CAD Mold Designer
- Project Manager





Chiron Apprenticeship 2022

The Chiron Group

- Global Company based in Tuttlingen, Germany
- Consists of 3 international vertical milling companies
- 13 locations in 12 countries
- 10% of total worldwide workforce is made up of Apprentices and Interns



Chiron America, Inc.

- Headquarters in Charlotte, NC for US market since 1995
- Customer base in Aerospace, Automotive, Medical and Consumer Products Industries
- 100 Employees
- Engineer and Technician based custom advanced manufacturing solutions provider

Hard Skill Training

Basic Hand Skills, Mechanical, Electrical, Programming, Hydraulics, Pneumatics

Soft Skill Training

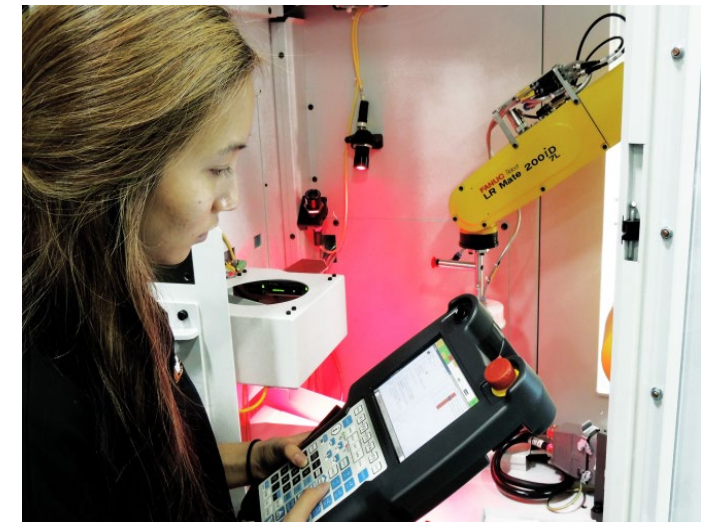
Communication, Organization, Time Management, Leadership, Project Management

Career, Alternative Pathway, Master to Apprentice, Why, The Catch, Not a Consolation, A Mean to an End.



Chiron Apprenticeship

- **Apprenticeship 2000 Partner Company**
- **Started in apprenticeship training in 2012**
- **Graduated 8 apprentices**
- **Currently 6 apprentices in our program**
- **Apprenticeships available in Mechatronics Engineering Technology and Computer Integrated Machining**
- **Guaranteed employment upon apprenticeship completion**
- **Continuing education after completion of apprenticeship through Tuition Reimbursement Program**





Siemens Energy Apprenticeship Program



World-Class Power Generation Equipment Manufacturing Facility



1.2 Million Square Feet of Manufacturing Space

\$400 Million Invested in the Factory

Full Manufacturing and Service Capability Across
The Steam Turbine, Gas Turbine, and Generator
Portfolio



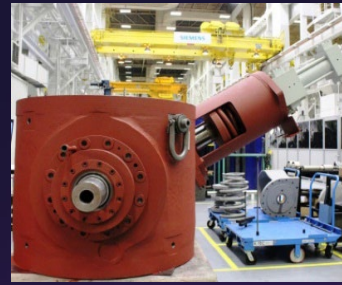
Charlotte Products and Services



Steam Turbine LP



Steam Turbine Rotor



Steam Valve



Generator



Generator Rotor



Generator Stator

Steam Turbine

Generator



Gas Turbine



Gas Turbine Rotor



Gas Turbine Diaphragm

Gas Turbine

Siemens Energy Apprenticeship

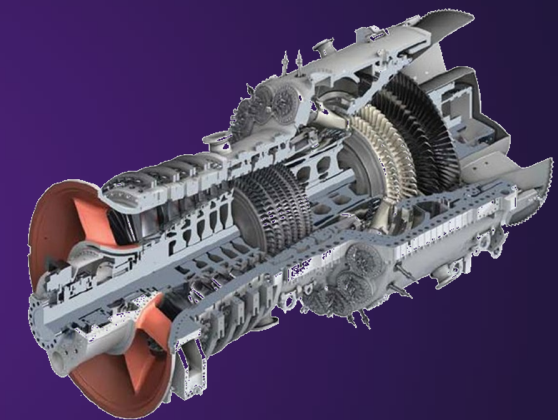


- CNC Machinist

- Welder

AAS Degree in Computer Integrated Machining

Welding Certificates from Central Piedmont Community College



Benefits to the Company

- Practical and productive work at the operational department during education (cost saving)
- High skilled, widely qualified and flexible employees
- Connection to the company's goals
- Reduced cost for special training and further education



More Information

Contact Information

Dawn Braswell

Dawn.braswell@siemens-energy.com

704-806-0299